

Installation & Operation Instructions

Folding Stairways

**American Stairways Models 444, 544, 655
& Bessler Space Saver**

IMPORTANT—Read This First

Before installing your new Disappearing Stairway, contact your local Building Code Office to insure this product meets your local building codes. Please read and understand the following:

1. This product is designed **for residential use only.** Failure to read and follow all directions-installation and/or usage, could result in serious personal or property damage. Installations that produce heavy usage or above normal stresses on this stair are not recommended. "See suggested weight capacity chart below." Simple carpentry skills are required to install this stair, seek professional help if you do not possess these skills.

2. After removing from carton, inspect stairway for damage, such as broken or split wood parts, or missing parts. If these are observed, return unit to your supplier for exchange.

3. Do not disassemble stair to install. . .it is completely assembled.

4. Make certain you read and follow all the installation instructions and warning labels, as these are designed to assist you in making a safe installation, extend the life of the stair and prevent personal injury.

5. Only use 16d nails or 1/4 x 3" lag screws through the spring arm pivot plates, the corner brackets at the main header hinge, the opposite frame member and both side lengths of frame. Holes are provided to secure stair in ceiling joists with the feet of the bottom section cut properly according to factory instructions.

The use of sheet rock screws, deck screws, or finish nails are prohibited, which can cause the stairway to suddenly fall from the opening possibly causing serious bodily injury.

6. Our stairways are manufactured for five maximum ceiling heights: 8'5", 8'9", 9'3", 10'0" and 10'6". All units require cutting off the bottom section to fit the floor*. Be sure to select proper unit for your ceiling height.

7. After cutting off bottom section to fit the floor, have someone stand on the second or third step from the bottom and inspect the side rails to make certain there are no gaps between the hinged sections. All three

sections should form a straight line. (See Figure 9 for correct stair alignment.)

8. The coil springs at the top of the stair are under extreme pressure and should never be removed unless absolutely necessary, and then with extreme caution in removing and replacing spring; do this with the stair in the closed position, as there is less tension on the springs. During life of stair, periodic checks should be made of all wood and metal parts for wear and possible tightening. Spring arms, section hinges and all riveted metal joints should be lubricated periodically for easier operation and longer life. If for any reason any of the wood, metal, or other components of the stairway show signs of excessive wear or looseness, they should be replaced.

9. Face the stair when going up or down – use handrail at all times. Close when you are through using it.

Caution: handrail is for maintaining user's balance only and is not load bearing. Failure to return stairway sections back to their full closed position before closing door panel may result in damage to stairway and/or severe personal injury. Do not use the pull cord to swing the door panel upward when closing. Do not leave stair unattended when children are present. Persons with limiting abilities, such as muscular or nerve impairment, weak bones or joints, or other limiting abnormalities should not climb or use this product.

10. Due to the distance between the operator's personal height and the room's ceiling height and the weight of the stairway, it is possible that some persons may experience difficulty in raising and lowering the attic stairway. It is recommended that all persons obtain assistance from another person in stairway raising and lowering activities so any such difficulty is safely remedied.

11. Do not use the stair if it is damaged in any way. Any damage, gaps or defections should be corrected.

(Consult factory or local dealer for replacement parts or unit). Failure to follow instruction or warnings can lead to sudden stairway collapse and severe personal injury.

Suggested weight capacity: Model 444 = 250 lbs.; Model 544 = 250 lbs.; Model 655 = 300 lbs.;
Bessler Space Saver = 350 lbs.

Keep all nuts & bolts tight!!! For residential use only!!!

Before You Install

To make sure you receive the best performance from your stairway, please take a few moments to familiarize yourself with all of the parts and guidelines. Seek professional help if not experienced in carpentry. Example: An experienced finish carpenter with good help should easily install the door jamb and stairs and adjust for operation in four hours or less. Time is directly dependent on skill and the understanding of these instructions. This is a stairway; taking your time and working safely helps prevent accidents.

Stairway Location

Locate your stairway in an attic area which is strong enough for walking and working on and has adequate headroom. **Avoid contact with electrical wiring during all phases of installation.**

Check Model Size And Dimensions

Refer to Figure 1 and Table 1 below to make sure the size of your specific model fits within the specified measurements. Make sure of the correct size of the rough opening for your specific model. Measure to be sure there is enough clearance for the stair as it is unfolded to its full length (Projection) and that there is enough space at the bottom of the stairway for a safe landing area.

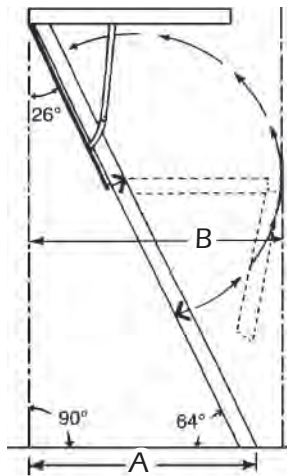


Figure 1

Table 1

Rough Opening	Ceiling Height*	# of Treads	A Landing Space	B Projection	Available in Models			
					444 WT	544 WT	655 WT	Space Saver WT
22.5" x 48"	8'5"	10	56"	60"	x 54 lbs.	x 56 lbs.	x 64 lbs.	x 64 lbs.
22.5" x 54"	8'9"	11	58"	66"	x 58 lbs.	x 60 lbs.	x 67 lbs.	x 67 lbs.
22.5" x 54"	10'	13	65"	79"	x 63 lbs.	x 65 lbs.	x 70 lbs.	x 70 lbs.
22.5" x 60"	9'3"	11	61"	69"			x 70 lbs.	x 70 lbs.
22.5" x 60"	10'6"	13	70"	80"			x 75 lbs.	x 75 lbs.
25.5" x 48"	8'5"	10	56"	60"	x 55 lbs.	x 60 lbs.	x 68 lbs.	x 68 lbs.
25.5" x 54"	8'9"	11	58"	66"	x 62 lbs.	x 65 lbs.	x 70 lbs.	x 70 lbs.
25.5" x 54"	10'	13	65"	79"	x 66 lbs.	x 68 lbs.	x 84 lbs.	x 84 lbs.
25.5" x 60"	9'3"	11	61"	72"			x 73 lbs.	x 73 lbs.
25.5" x 60"	10'6"	13	70"	80"			x 89 lbs.	x 89 lbs.
30" x 54"	8'9"	11	59"	66"			x 84 lbs.	x 84 lbs.
30" x 54"	10'	13	66"	79"			x 92 lbs.	x 92 lbs.
30" x 60"	8'9"	11	59"	66"			x 94 lbs.	x 94 lbs.
30" x 60"	9'3"	11	61"	69"			x 91 lbs.	x 91 lbs.
30" x 60"	10'	13	66"	79"			x 96 lbs.	x 96 lbs.
30" x 60"	10'6"	13	70"	69"			x 96 lbs.	x 96 lbs.

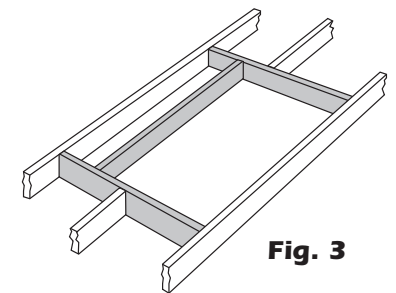


Fig. 3

Installation parallel to existing joists normally requires a frame with single headers. (See Fig. 3)

* Folding Stairs Require Floor To Ceiling Measurement

Prepare The Rough Opening

Step 1A – Truss Installation

CAUTION: If your home uses roof trusses, do not cut ceiling cords (joists) without engineering consultation and approval.

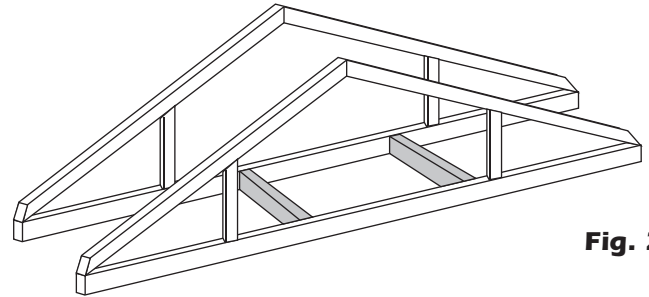


Fig. 2

Truss models are specially designed to fit between 24" on center truss ceilings. Install headers across truss cords to form a minimal 22" x 48" or 54" rough opening (Check Table 1 for dimensions for your specific model). Insure headers are plumb and square.

Step 1B–standard installation (without Trusses)

Cut the rough opening through the ceiling material to the size shown in Table 1 for the size of your stair. The rough opening size is approximately 1/2" wider and longer than the actual size of the stairway. This allows room to properly shim and square the stairway.

Step 2– Frame the rough opening. Using joist-size material and 10d common nails, build a four-sided frame to install the stairway. Keep corners square to simplify installation. Use standard carpentry practices when building rough opening and check your local building code for correct configurations.

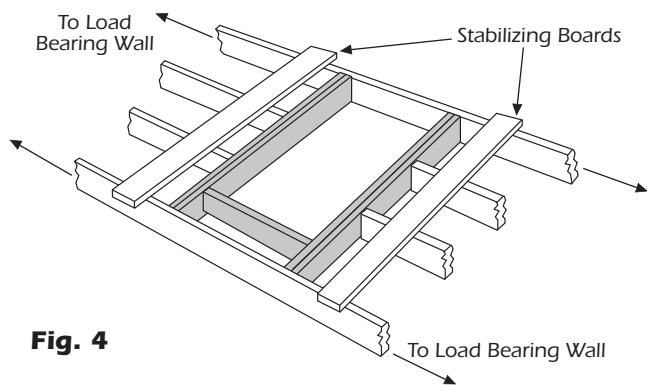


Fig. 4

Installation perpendicular to the existing joists requires a frame with double headers (See Fig. 4). If joists must be cut, stabilize them by nailing 2 joist-size boards perpendicular to the ceiling joists before cutting. The double joist sections must be long enough to be supported by a load bearing wall at both ends.

Install The Stairway

Step 3- On the ceiling side of the rough opening, nail two 1" x 4" temporary slats to hold the stairway in the rough opening. (Temporary Boards Not Supplied By American Stairway.) Each slat should extend beyond the ends of the opening and extend approximately 1/2" into the rough opening to form a ledge. The slats should be nailed securely enough to hold the weight of the stairway (See Fig. 5).

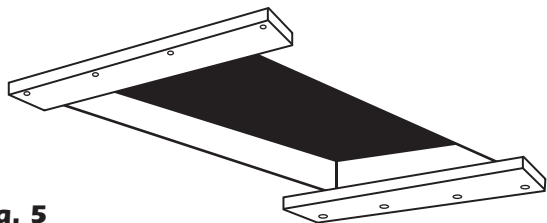


Fig. 5

CAUTION: Do not place any weight on the stair at this time.

Step 4- With a helper in the attic, carefully raise the stairway into the rough opening, and position it on the ledges formed by the slats. The plywood panel of the stairway should not be blocked by the slats so it is free to swing open.

CAUTION: Be sure the stair does not shift and come off the temporary slats. This could cause the stair to fall through the opening and could damage the stair or cause personal injury.

As an extra precaution, temporarily drive an 8d nail through each side jamb of the stair, just above the stop blocks and into the rough opening frame. Do not drive the nails in completely so they can be removed when the permanent nailing is completed.

Step 5- Carefully open the stairway from below and lower the stair sections.

CAUTION: Do not stand on the stairway at this time.

Make sure the stairway is square, level and firmly situated in the rough opening. Blocks of wood or plywood can be used as shims to make any necessary adjustments.

Because the wood parts are often subjected to strong spring tension for several months before installation, it is normal for the stair frame to become bowed while in inventory. The frame, however, can be easily straightened by using nails and shims.

Step 6- Permanently mount the stairway using 16d nails or 1/4 x 3" lag screws.

WARNING: Do not use sheetrock screws or any other fasteners other than what is stated in these instructions.

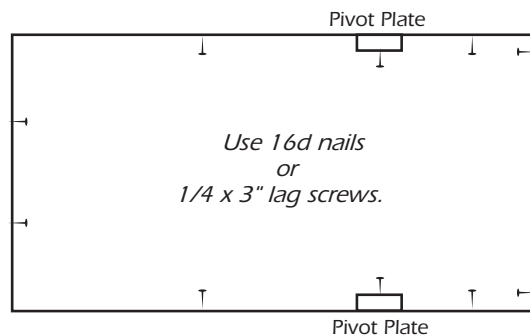


Fig. 6

Holes have been predrilled in the pivot plates of the spring arms and the piano hinge. Also nail through the end board into the rough opening header. Complete permanent nailing with sufficient 16d nails to secure stair to all sides of the opening. Pilot holes should be drilled if lag screws are used. (See Fig. 6 above for suggested placement of nails.)

Step 7- Remove the temporary slats and 8d nails used for temporary support.

Adjust Stairway To Ceiling Height

Trim the stairs only after the floor beneath the stairs is finished. Adding or removing carpet or other flooring material will change the measurements for the length of the stairs.

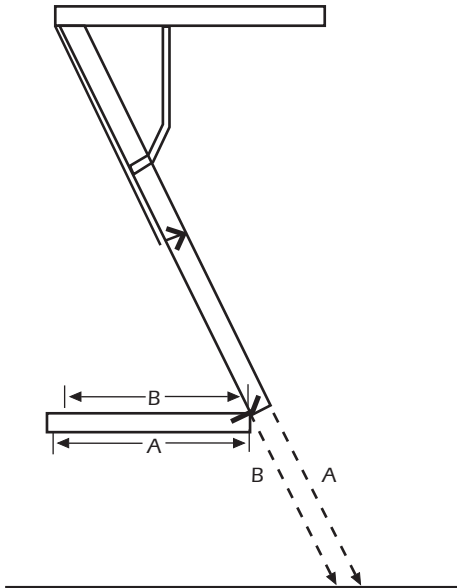


Fig. 7

Step 8- Fully extend the folding section of the stairway. Fold the bottom section of the stairway under the middle section, so that the top and middle sections form a straight line (See Fig. 7). Apply pressure on the stairs to ensure the spring arms are fully extended.

Step 9- Place a straight edge on top of the middle section and slide it down until it contacts the floor. Measure the distance from the end of the middle section to the floor (A in Fig. 7). Mark the distance on the A side of the bottom stringer.

Step 10- Place a straight edge on the bottom of the middle section and slide it down until it contacts the floor. Measure the distance from the end of the middle section to the floor (B in Fig. 7). Mark the distance on the B side of the bottom stringer. It is possible for the landing area to be uneven, so repeat this procedure on the other stringer.

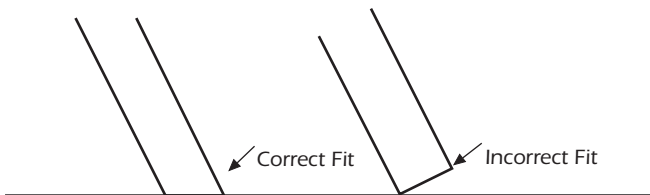


Fig. 8

Step 11- Draw a straight line between the points. Cut each bottom stringer to the proper length, along the lines drawn. The bottom section of the stairs should fit flush with the floor on both sides after cutting. (See Fig. 8)

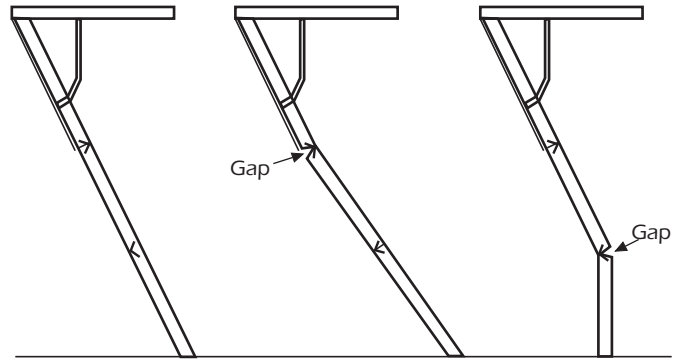


Fig. 9 - Correct Fig. 10 - Too Long Fig. 11 - Too Short

Step 12- Check to make sure of proper length. Standing on second step of the bottom section, the stairs should fit flush with the floor and all joints should be tight with no gaps (Fig. 9). If the stairs are too long (Fig. 10), trim them again. If the stairs are too short (Fig. 11), do not use them. The bottom section will have to be replaced. Contact your vendor or The American Stairway Company.

CAUTION: Do not use the stairway unless the stairs fit flush with the floor, and the joints are tight with no gaps. (See Figures 9-11) Failure to cut properly could cause undue stress on the stairway and could result in personal injury.

If final/additional flooring (carpet, vinyl, etc.) is installed after stairway is installed, length adjustment will be necessary. Repeat Steps 8 - 12.

Trimming the stairway opening

Step 13- Select a moulding and trim around the stairway opening. Allow a gap of approximately 1/8" between the plywood panel of the stairway and the moulding.



3807 Lamar Ave. ■ Memphis, TN 38118
901-795-9200 ■ Fax 901-795-1253
www.americanstairways.com

FORM NO. 444-9/16

Instrucciones de Instalación y Operación Escaleras Plegables

Modelos de las Escaleras Americanas 444, 544, 655
& "Bessler Space Saver"

IMPORTANTE— LEA ESTO PRIMERO

Antes de instalar su nueva Escalera Plegable, póngase en contacto con su Oficina de Códigos de Construcción local (Building Code Office) para asegurarse que este producto satisface sus códigos locales. Favor de leer y entender lo siguiente:

1. Este producto es diseñado para **uso residencial solamente**. El dejar de leer y seguir todas instrucciones de instalación y / o su uso, puede resultar en daño serio personal o de su propiedad. No se recomiendan las instalaciones que produzcan uso considerable de esta escalera o estrés fuera de lo normal. "Vea la grafica de la capacidad de peso sugerida." Se requiere que tenga habilidades sencillas de carpintería para instalar esta escalera. Busque ayuda profesional si usted no tiene estas habilidades.

2. Después de remover la escalera de la caja de cartón, revísela para distinguir daño tal como madera rota o rajada, o partes no incluidas. Si usted observa esto, devuelva la unidad a su suministrador para un cambio.

3. No desarme la escalera para instalarla....Ya está completamente armada.

4. Asegúrese que usted lea y siga todas las instrucciones de instalación y etiquetas de advertencia porque son diseñadas para ayudarle a completar una instalación segura, extender la vida de la escalera, y prevenir daño personal.

5. Sólo use clavos 16d o tornillos de tuerca (1/4 x 3) a través de la lámina pivote con muelle, el brazo de resorte, los codos de refuerzo y a la bisagra del encabezado principal, al marco opuesto, y ambas larguras del marco. Le proveemos los huecos para asegurar la escalera en las vigas del techo cuando los pies de la escalera son cortados propiamente según las instrucciones de la fábrica. **El uso de los tornillos de contrachapado, clavos de madera, o puntillas de acabado es prohibido; pueden causar la caída repentina de la apertura, posiblemente causando heridas corporales.**

6. Nuestras escaleras son producidas para las siguientes cinco alturas del techo: 8' 5", 8' 9", 9'3", 10' y 10'6". Todas las unidades (con la excepción de la escalera de aluminio) requieren cortar la sección del fondo para caber con el suelo. Asegurase que ha seleccionado la unidad propia para la altura de su techo.

7. Después de cortar la sección del fondo para caber con el suelo, ponga otra persona en el segundo o tercer escalón del fondo y revise las barandas del lado para estar peldaos para estar seguro que no hay aberturas entre las secciones con bisagras. Todas tres

secciones deben formar una línea recta cuando la escalera esté totalmente abierta y extendida. (Vea la Figura 9 para ver la alienación correcta de la escalera)

8. Los resortes en la parte más superior de la escalera están bajo presión extrema y nunca deben ser removidos a menos que sea absolutamente necesario, y aun entonces con precaución extrema al remover y reemplazar el resorte. Haga esto cuando la escalera está en la posición cerrada cuando hay menos tensión en los resortes. Durante la vida de la escalera, debe de inspeccionar regularmente todas las partes de madera y metal para descubrir desgaste y soltura posible. Los brazos con muelles, las secciones con bisagras, y todas las juntas remachadas de metal, deben ser lubricados periódicamente para su más fácil operación y largo uso. Si por cualquier razón cualquier parte de la madera, metal, u otros componentes de la escalera demuestran señales del desgaste exagerado o soltura, deben ser reemplazados.

9. Enfrentese a la escalera cuando usted suba y baje –use el pasamano cada vez. Cierre la escalera cuando termine usándola. **Cuidado:** El pasamano es sólo para mantener la balanza del consumidor y no es para soporte de carga. El no devolver las secciones de la escalera a sus posiciones cerradas y completas antes de cerrar el panel de la puerta puede resultar en daño a la escalera y / o heridas personales y severas. No tire del cordón para columpiar la puerta hacia arriba al cerrarla. No deje desatendida la escalera cuando los niños están presentes. Las personas con habilidades limitadas, tal como deterioro de músculos o nervios, huesos o articulaciones débiles u otras anomalías que imitan, no deben de subirse o usar este producto.

10. Debido a la distancia entre la altura personal del operador, la altura del techo del cuarto y el peso de la escalera, es posible que algunas personas puedan sentir dificultad al levantar y bajar la escalera del desván. Es recomendado que esas personas obtengan ayuda de otra persona al levantar y bajar la escalera para que tal dificultad se remedie sin riesgos.

11. No use la escalera si está dañada en cualquier manera. Cualquier daño, aberturas, o defectos deben ser corregidos. (Consulte la fábrica o comerciante local para partes de reemplazo o la unidad entera) El no seguir las instrucciones o advertencias puede causar el colapso repentino y daño personal severo.

Capacidad de peso sugerida: Modelo 444 = 250 libras; Modelo 544 = 250 libras;
Modelo 655 = 300 libras; "Bessler Space Saver" = 350 libras.

!!!Mantenga apretadas todas las tuercas y tornillos!!!
!!!Sólo para uso residencial!!!

Antes de Instalar

Para estar seguro que usted recibe la mejor ejecución de su escalera, por favor tome unos momentos para familiarizarse con todas las partes y guías incluidas. Busque ayuda profesional si usted no tiene experiencia en carpintería. Por ejemplo: un carpintero hábil con experiencia y con buena ayuda puede instalar fácilmente la jamba y la escalera y además ajustarla dentro de cuatro horas o menos. El tiempo que toma es directamente relacionado a su habilidad y el entendimiento de estas instrucciones. Al tomar su tiempo propio y trabajar sin riesgo, ayuda a impedir accidentes.

Colocación de la escalera

Coloque su escalera en un área del desván que sea bastante fuerte para poder caminar y trabajar y que tenga espacio adecuado para la altura de paso.

Evite contacto con el tendido eléctrico durante todas fases de instalación.

Inspeccione el Tamaño del Modelo y sus Dimensiones

Refiérase a la Figura 1 y Tabla 1 abajo para asegurar que el tamaño de su modelo cabe dentro de las medidas especificadas. Esté seguro del tamaño correcto de la abertura preliminar que requiere su modelo específico. Mida para estar seguro que hay bastante espacio libre para que la escalera se despliegue a su extensión entera y que exista bastante espacio al fondo de la escalera para una área de aterrizaje segura.

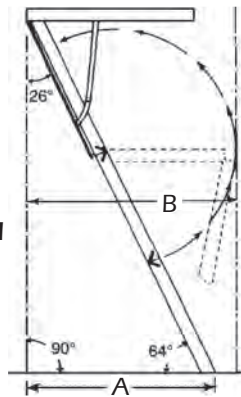


Figura 1

Tabla 1

Abertura Preliminar	Altura del Techo*	# of Treads	A Area de Aterrizaje	B Proyección	Modelos			
					444	544	655	"Space Saver"
22.5" x 48"	8'5"	10	56"	60"	x 54 libras	x 56 libras	x 64 libras	x 64 libras
22.5" x 54"	8'9"	11	58"	66"	x 58 libras	x 60 libras	x 67 libras	x 67 libras
22.5" x 54"	10'	13	65"	79"	x 63 libras	x 65 libras	x 70 libras	x 70 libras
22.5" x 60"	9'3"	11	61"	69"			x 70 libras	x 70 libras
22.5" x 60"	10'6"	13	70"	80"			x 75 libras	x 75 libras
25.5" x 48"	8'5"	10	56"	60"	x 55 libras	x 60 libras	x 68 libras	x 68 libras
25.5" x 54"	8'9"	11	58"	66"	x 62 libras	x 65 libras	x 70 libras	x 70 libras
25.5" x 54"	10"	13	65"	79"	x 66 libras	x 68 libras	x 84 libras	x 84 libras
25.5" x 60"	9'3"	11	61"	72"			x 73 libras	x 73 libras
25.5" x 60"	10'6"	13	70"	80"			x 89 libras	x 89 libras
30" x 54"	8'9"	11	59"	66"			x 84 libras	x 84 libras
30" x 54"	10'	13	66"	79"			x 92 libras	x 92 libras
30" x 60"	8'9"	11	59"	66"			x 94 libras	x 94 libras
30" x 60"	9'3"	11	61"	69"			x 91 libras	x 91 libras
30" x 60"	10'	13	66"	79"			x 96 libras	x 96 libras
30" x 60"	10'6"	13	70"	69"			x 96 libras	x 96 libras

*Las escaleras plegables requieren medidas de techo al piso.

Prepare la Abertura Preliminar

Etapa 1A: Instalación de la Armadura

CUIDADO: Si su casa usa armaduras del techo, no corte los cordones del techo (vigas) sin consulta y aprobación técnica.

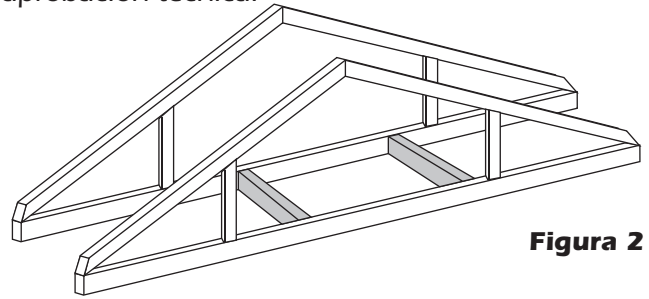


Figura 2

Los modelos de armadura son diseñados específicamente para caber entre un espacio de 24" en techos de armadura central. Instale encabezadotes a través de los cordones de armadura para formar una abertura preliminar con un mínimo de 22" x 48" o 54" (Consulte Tabla 1 para las dimensiones para su modelo específico). Asegurase que los encabezadotes están plomos y cuadrados.

Etapa 1B - Instalación estándar (sin armaduras)

Corte la abertura preliminar en el material del techo al tamaño demostrado abajo en Tabla 1 para el tamaño de su escalera. El tamaño de la abertura preliminar es aproximadamente 1/2" más ancho y más largo que el tamaño actual de la escalera. Este permite espacio para propiamente calzar y cuadrar la escalera.

Etapa 2 - Enmarque la abertura preliminar.

Usando material del tamaño de las vigas y 10d clavos ordinarios, construya un marco de cuatro lados para instalar la escalera. Mantenga los rincones cuadrados para simplificar la instalación.

Use las prácticas estándar de carpintería cuando construya la abertura preliminar y revise sus códigos de construcción locales para obtener las configuraciones correctas.

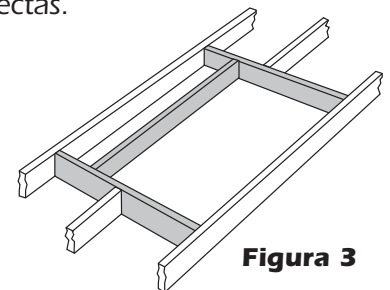


Figura 3

La instalación paralela a vigas que existentes requieren un marco con encabezadotes singulares. (Vea Figura 3)

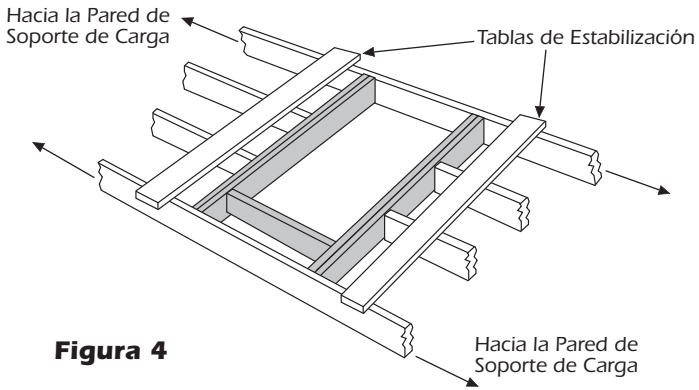


Figura 4

La instalación perpendicular a las vigas existentes requiere un marco con encabezadotes dobles (Vea Figura 4). Si las vigas deben ser cortadas, establézcalas al clavar 2 tablas del tamaño de vigas, en forma perpendicular a las vigas del techo antes de cortar. Las secciones de vigas dobles deben ser bastante largas para ser soportadas por una pared de soporte a ambos cabos.

Instale La Escalera:

Etapa 3- Al lado del techo de la abertura preliminar, clave dos 1" x 4" tablillas temporales para colgar la escalera en la abertura preliminar. (Las tablillas temporales no son proveídas por American Stairway.) Cada tabilla debe extender más allá de los cabos de la abertura y extender aproximadamente 1/2" en la abertura preliminar para formar un reborde. Las tablillas deben ser clavadas con bastante seguridad para soportar el peso de la escalera. (Vea Figura 5)

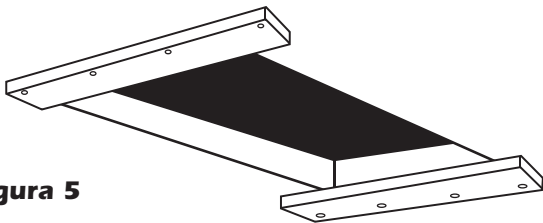


Figura 5

CUIDADO: No coloque ningún peso en la escalera en el momento.

Etapa 4- Con un asistente en el desván, cuidadosamente eleve la escalera en la abertura preliminar, y colóquela en los rebordes formados por las tablillas. El panel de madera contrachapada de la escalera no debe estar bloqueado por las tablillas para poder columpiarse libremente.

CUIDADO: Esté seguro que la escalera no se mueva y no se suelta de las tablillas temporales. Este puede causar caer la escalera por la apertura y puede dañar la escalera o causar daño personal.

Como una precaución adicional, temporalmente ponga un clavo 8d por cada jamba ladera de la escalera, justo sobre los bloques y en el marco de la abertura preliminar. No ponga los clavos temporarios completamente adentro la jamba para que puedan ser removidos cuando todo esté permanentemente terminado.

Etapa 5- Con cuidado, abra la escalera desde abajo y baje las secciones de la escalera.

CUIDADO: No se levante en la escalera a esta vez.

Esté seguro que la escalera está cuadrada, al mismo nivel, y firmemente situada en la abertura preliminar. Los bloques de madera o madera contrachapada pueden ser usados como calzas para hacer los ajustes necesarios.

Porque las partes de madera son sometidas a tensión fuerte de los resortes varios meses antes de su instalación, es normal que el marco de la escalera se curve mientras que en está en inventario. Este marco, sin embargo, puede ser fácilmente alineado al usar clavos y calzas.

Etapa 6- Permanentemente instale la escalera usando 16d clavos o 1/4 x 3" tornillos de tuerca.

ADVERTENCIA: No use los tornillos de albarra u otros sujetadores fuera de lo declarado en estas instrucciones.

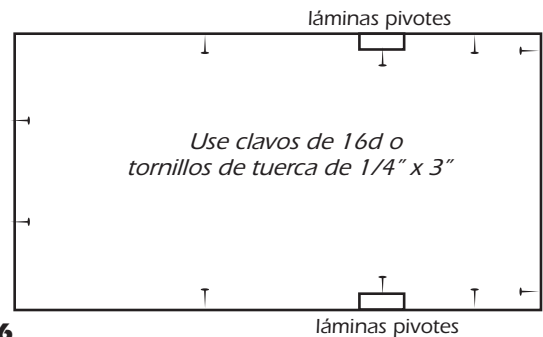


Figura 6

Los huecos ya han sido perforados en las láminas pivotes de los brazos del muelle y la bisagra de piano. También clave a través de la tabla final en el encabezado de la abertura preliminar. Termine el clavado con suficientes clavos 16d para asegurar la escalera a todos lados de la apertura. Los huecos pivotes deben ser perforados si usa tornillos de tuerca. (Vea Figura 6 arriba para la colocación de clavos.)

Etapa 7- Remueva las tablillas temporarias y los clavos 8d usados para soporte temporáneo.

Ajuste la Escalera a la Altura del Techo

Azuele la escalera solamente después que el piso debajo de las escaleras se ha terminado. Añadiendo o removiendo una alfombra u otro material para pisos cambiará las medidas en la longitud de la escalera.

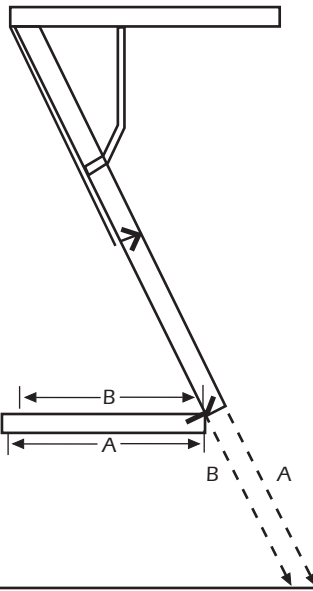


Figura 7

Etapas 8 - Extienda completamente la sección plegable de la escalera. Doble la sección al fondo de la escalera debajo de la sección intermedia para que las secciones de la parte más alta y de la parte intermedia formen una línea recta. (vea Fig. 7) Aplique presión en la escalera para asegurarse que los brazos de muelle se extiendan completamente.

Etapas 9 - Coloque un borde recto en la parte más alta de la sección intermedia y deslícelo abajo hasta que toque el suelo. Mida la distancia del cabo de la sección intermedia al suelo. (Vea Figura 7) Marque la distancia en el lado A del encordado del fondo.

Figura 10 - Coloque un borde recto en el fondo de la sección intermedia y deslícelo abajo hasta que toque al suelo. Mida la distancia del cabo de la sección intermedia al suelo (B en Figura 7.) Marque la distancia en el lado B del encordado del fondo. Es posible que el espacio de aterrizaje sea desigual; por eso, repita este procedimiento en el otro encordado.

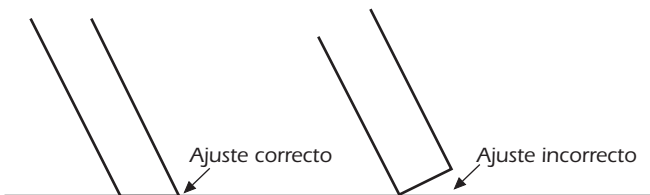
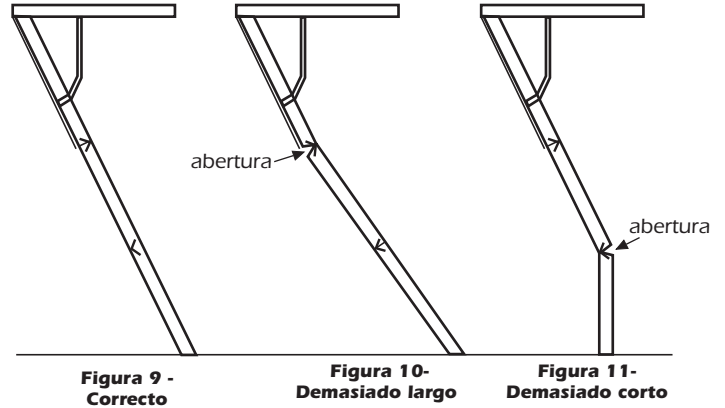


Figura 8

Etapas 11 - Dibuje una línea recta entre los puntos. Corte cada encordado del fondo a su propia longitud según las líneas dibujadas. La sección del fondo de la escalera debe caber al nivel del suelo en ambos lados después de cortar. (Vea figura 8).



Etapas 12 - Revise para estar seguro de la propia longitud. Levantándose en el segundo escalón de la sección del fondo, la escalera debe caber al nivel con el suelo y todas las juntas deben estar apretadas sin ninguna abertura. (Figura 9). Si la escalera es demasiado larga (Figura 10) azúlela otra vez. Si la escalera es demasiado corta (Figura 11), no la use. Póngase en contacto con su vendedor o The American Stairway Company.

Cuidado: No use la escalera a menos que quepa al nivel con el suelo y todas las juntas están apretadas sin aberturas. El no cortarla propiamente puede causar estrés indebido en la escalera y puede resultar en daño personal.

Si material adicional para pisos (alfombra, vinilo etc.) es instalado después que la escalera está instalada, será necesario ajustar la longitud al repetir las etapas 8 - 12.

Recortando la Apertura de la Escalera

Etapas 13- Seleccione una moldura o adorno de madera alrededor de la apertura de la escalera. Deje una abertura de aproximadamente 1 / 8" entre el panel de la madera de contrachapado de la escalera y el adorno o moldura de la escalera.



3807 Lamar Ave. ■ Memphis, TN 38118
901-795-9200 ■ Fax 901-795-1253
www.americanstairways.com

FORM NO. 444-9/16